

Wiring diagramm see sheet 2

Die Montageanleitung 7BC000000 wird elektronisch bereitgestellt.
The assembly instruction 7BC000000 is provided in electronic format

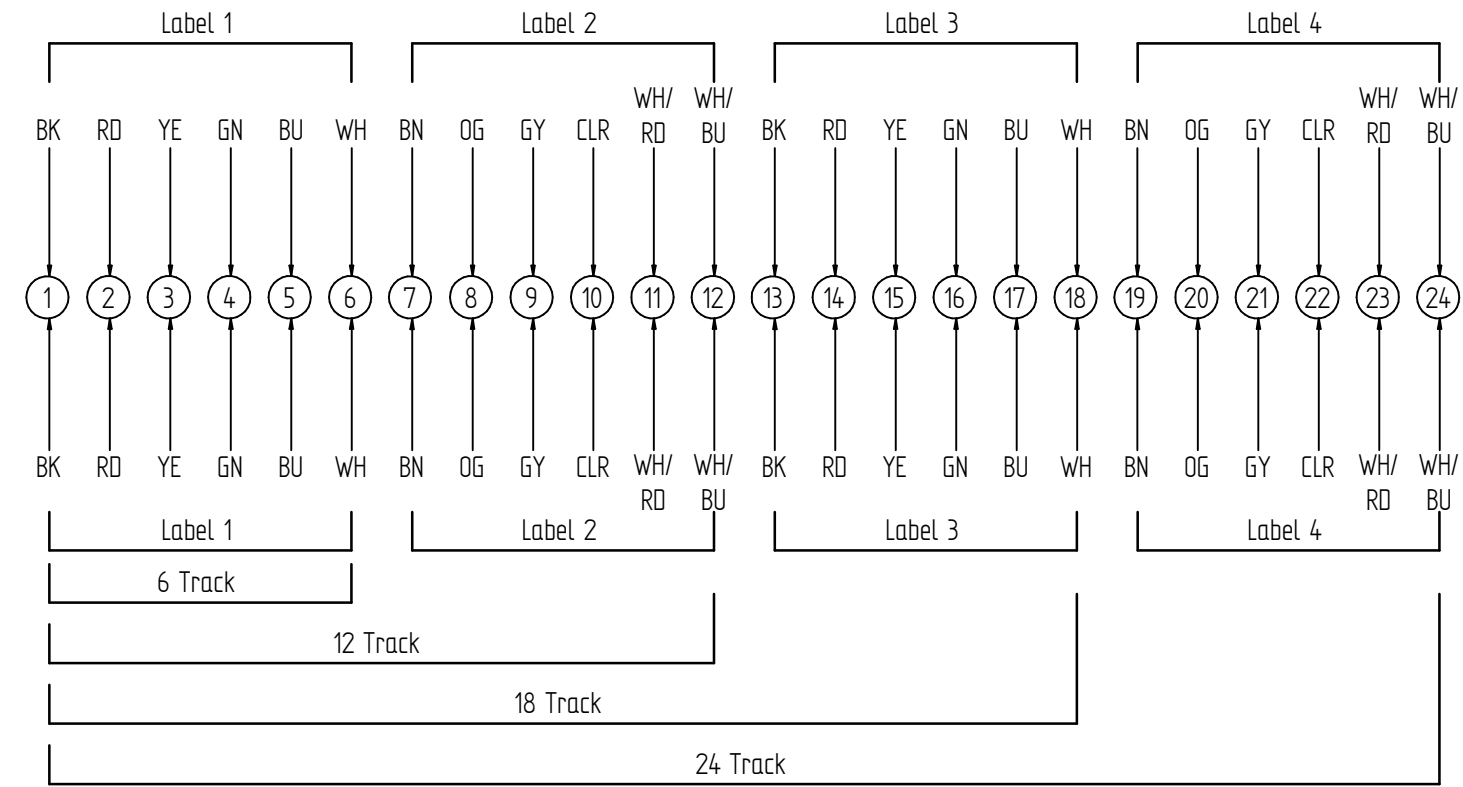
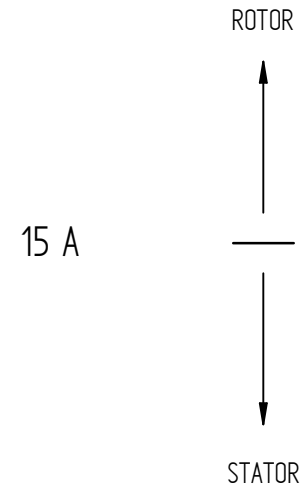
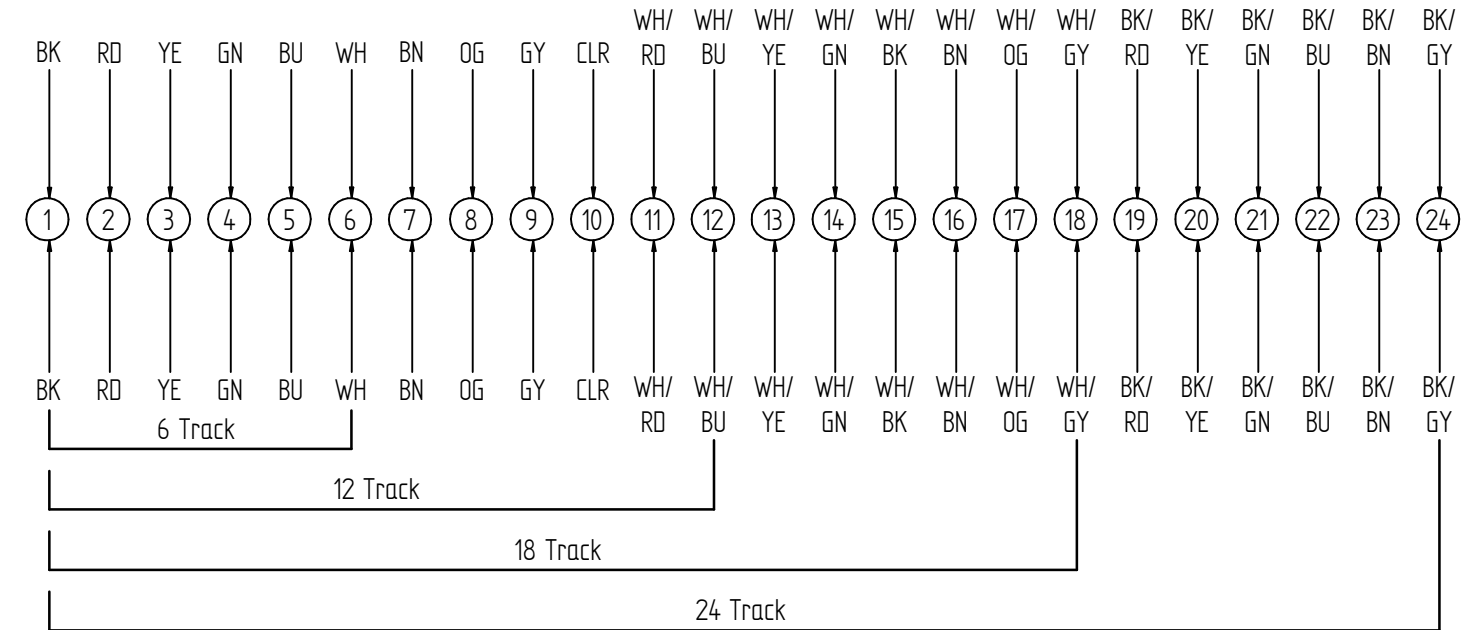
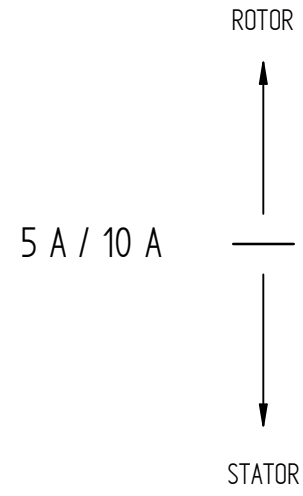
ELECTRONIC & ELECTRIC		MECHANICAL	
Rating Voltage	250 V AC / DC	Working Speed	300 rpm max.
		Inner Diameter	$\phi 38,1$
		Contact Material	Precious Metals
Current	5 A / Signal	Lead Wire Length	STATOR: 250 mm ROTOR: 250 mm
Track	12	/	/
Insulation Resistance	500 M Ω @ 500 V DC	/	/
ENVIRONMENT		REMARKS	
Working Temperature	-20 °C to +60 °C	Application	see Manual
Working Humidity	$\leq 60\%$ RH	Other	/
Protection Class	IP50	Note:	/

10	1	70C000014	Maverick Schleifring 12-Weg 5A		
Pos.	Anz.	Mat.Nr.	Kurztext	GroÙe/Abmessung	Werkstoff
1	2	3	4	5	6
DIN ISO 5456-2	TOLERANCES	DIN ISO 13715	FINISH	SCALE	REFERENCE 2
	ISO 2768 - mH	+0,3 +0,1	-0,1 -0,3	1:1	WEIGHT 0,001 kg
STANDARDS	DWG NO	REVISION	FIRST RELEASE	16.12.2021	
ISO 8015 ISO 14405	77C000014	A1	DESIGNER	CREITER	16.11.2022
SCHLEIFRING			APPROVED	AGREPPMAYR	21.11.2022
Beschreibung			CHANGE NO	200120151	
Maverick Schleifring 12-Weg 5A			DOCUMENT TYPE	Kundenzeichnung	
DESCRIPTION			SIZE/DIM	SHEET 1/2	
Maverick Slip Ring 12-Track 5A			Draft: 1000954449/D02/000/03 Modell: 1000954449/D00/000/03 A2		

All drawings are the property of Schleifring GmbH/ Germany and are to be treated as confidential. The reproduction, distribution and utilization as well as the communication of its contents to others without express authorization is prohibited. Offenders will be held liable for the payment of damages. All rights reserved in the event of the grant of a patent, utility model or design.

All drawings are the property of Schleifring GmbH/ Germany and are to be treated as confidential. The reproduction, distribution and utilization as well as the communication of its contents to others without express authorization is prohibited. Offenders will be held liable for the payment of damages. All rights reserved in the event of the grant of a patent, utility model or design.

Cable Table	
Current	Cable
5 A / Signal	AWG17
10 A	
15 A	AWG14



DIN ISO 5456-2 	TOLERANCES ISO 2768 - mH	DIN ISO 13715 +0,3 +0,1 -0,1 -0,3	FINISH MATERIAL	SCALE 1:1	REFERENCE 2
STANDARDS ISO 8015 ISO 14405	DWG NO 7KLC000014	REVISION A1	FIRST RELEASE	16.12.2021	
	Beschreibung Maverick Schleifring 12-Weg 5A DESCRIPTION Maverick Slip Ring 12-Track 5A SIZE/DIM.	DESIGNER	CREITER	16.11.2022	
		APPROVED	AGREPPMAYR	21.11.2022	
			CHANGE NO 200120151		
			DOCUMENT TYPE Kundenzeichnung	SHEET 2/2	